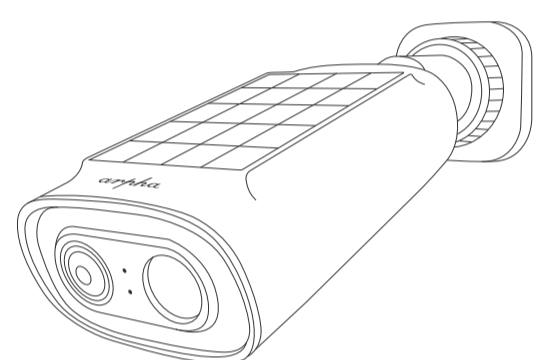


alpha

WIRELESS HOME SECURITY CAMERA

Unlocking the Future of Security

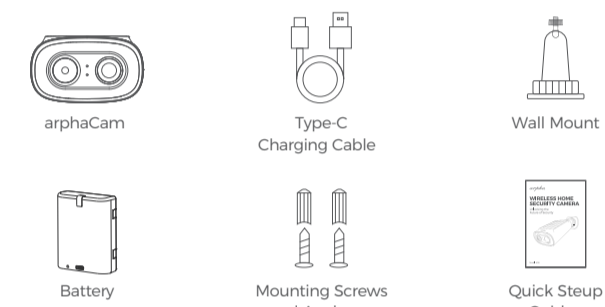


Model: K06

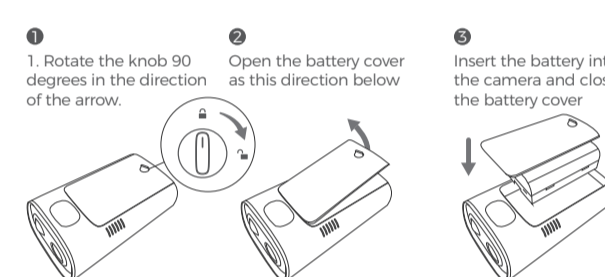
1/GETTING STARTED

What's Included

Camera quantity and accessories vary by bundle package.

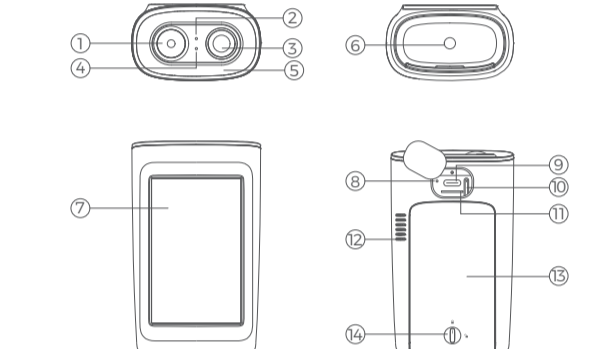


Disassembling and assembling battery



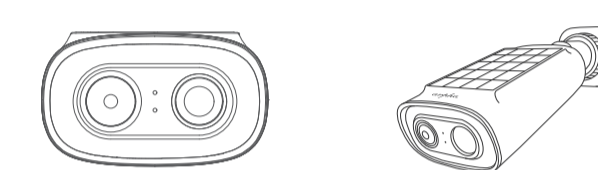
2/PRODUCT OVERVIEW

Diagram



1. Lens
2. Status LED
3. Motion sensor
4. Microphone
5. Light
6. Mounting hole
7. Solar energy
8. Reset button
9. Charging port
10. Power ON/OFF
11. TF card slot
12. Speaker
13. Battery cover
14. knob

Status and Indicator



Device Status	Button	Indicator Light	Voice
Power On	Long press the power button for 2 seconds	Red light slow blinking	Sound of camera start
Power Off	Long press the power button for 5 seconds	Lights All Off	Sound of camera shutdown
Reset	Long press the Reset button for 5 seconds	Red light slow blinking	Restore factory settings
Upgrade	/	Orange light slow blinking	The system is being upgraded, please wait a moment.
Connect the WiFi successful	/	Green light stays on	Connect the WiFi successful
Connect the WiFi failed	/	Red light slow blinking	Connect the WiFi failed
Battery Charging	/	Red light stays on	/
Battery Charged	/	Lights All Off	/

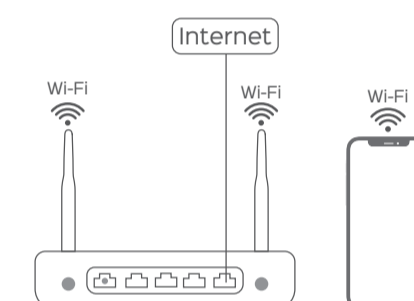
3/SETTING UP THE SYSTEM

Download the App and Set up the System

1. Please fully charge the battery before using it for the first time.
2. Download the alpha app from the App Store (iOS devices) or Google Play store (Android devices).



3. Register an account if this is the first using the App.
4. Make sure that your smartphone is connected to your wireless router (It has to be on the 2.4GHz channel if you have a dual-band router.)



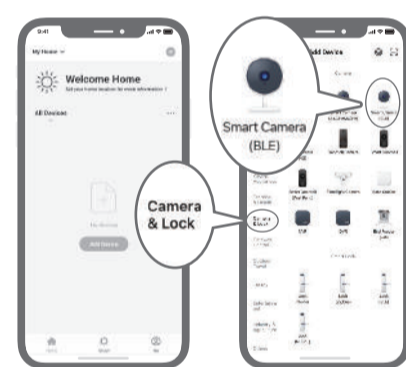
Turn to next page



Fuwei Global Co. Ltd.
alpha.com

Download the App and Set up the System

5. Launch the alpha app, click 'Add Device', then select 'Camera & Lock', and follow the screenshot below.

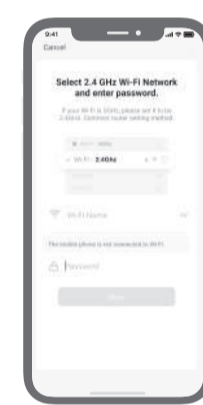


6. Make sure the Red indicator on the device is blinking, then press 'Next Step'. (If the operation failed, press the reset button for over 5 seconds)



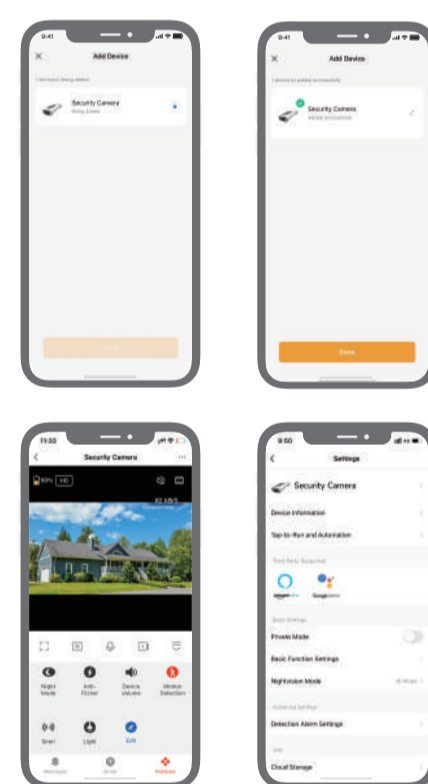
Download the App and Set up the System

7. Enter your Wi-Fi network and password, click 'Next'.



Download the App and Set up the System

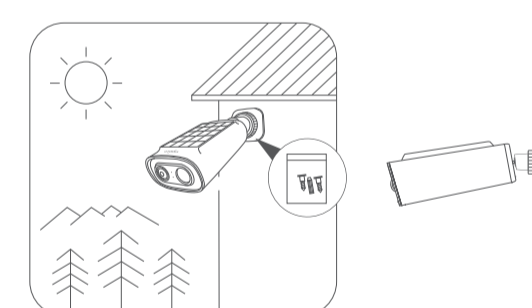
8. When the indicator light on the device turns from flashing red light to steady green light, the network configuration is complete.



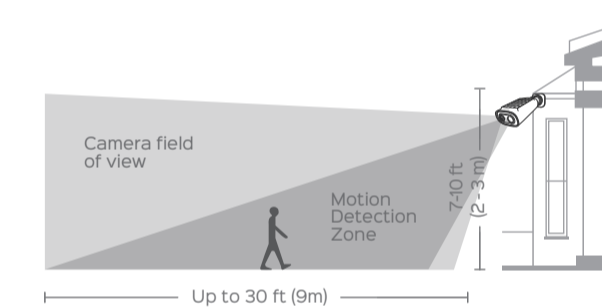
4/MOUNTING THE CAMERA

Mount the camera

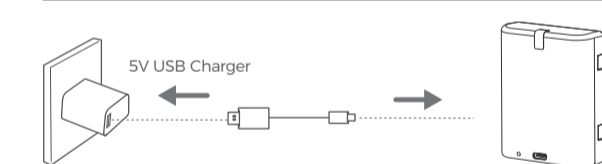
1. Firmly secure the base onto the wall using screws (depends on actual wall mount) supplied in the package. Keep the installation angle of solar panels about 30-45° with the horizontal plane as shown in the picture below. Take care to install the solar panel in camera so that the sun is not blocked by any items such as eaves, trees, branches, etc.



2. It is suggested to install arphacam 7-10 ft (2-3 m) above the ground. This height maximizes the detection range of the motion sensor of arphacam. Avoid placing arphacam under direct sunlight.



5/CHARGE ARPHA CAMERA



6/DISCLAIMER

The contents in this manual, product specifications, size, and shape are subject to change without prior notice. The manufacturer makes no representations or warranties concerning the contents hereof and reserves the right to revise this manual without obligation to notify any person. The

manufacturer shall not be liable for any technical or editorial errors or omissions contained in this manual, or for any damage, direct or indirect, from discrepancies between the manual and the product it describes. The manufacturer assumes no responsibility, directly or indirectly, for financial losses or claims from third persons resulting from the use of this product and any of its functions. The total accessible capacity varies depending on the operating environment. All references to speed are for comparison purposes only. Actual data throughput may vary.

FCC Warning

This device complies with part 15 of the FCC Rules. Operation is subject to the following two conditions: (1) This device may not cause harmful interference, and (2) this device must accept any interference received, including interference that may cause undesired operation. Any changes or modifications not expressly approved by the party responsible for compliance could void the user's authority to operate the equipment. This equipment has been tested and found to comply with the limits for a Class B digital device, pursuant to part 15 of the FCC Rules. These limits are designed to provide reasonable protection against harmful interference in a residential installation. This equipment generates uses and can radiate radio frequency energy and, if not installed and used in accordance with the instructions, may cause harmful interference to radio communications. However, there is no guarantee that interference will not occur in a particular installation. If this equipment does cause harmful interference to radio or television reception, which can be determined by turning the equipment off and on, the user is encouraged to try to correct the interference by one or more of the following measures: -Reorient or relocate the receiving antenna. -Increase the separation between the equipment and receiver. -Connect the equipment into an outlet on a circuit different from that to which the receiver is connected. -Consult the dealer or an experienced radio/TV technician for help. FCC RF exposure statement: The equipment complies with FCC radiation exposure limits set forth for an uncontrolled environment. This equipment should be installed and operated with minimum distance between 20cm the radiator your body.